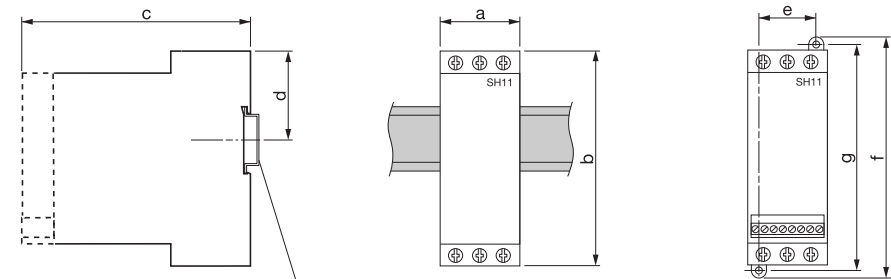
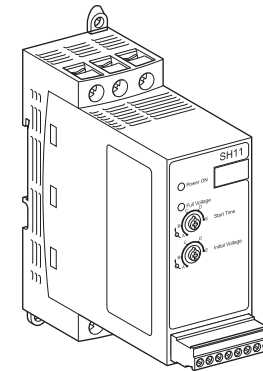
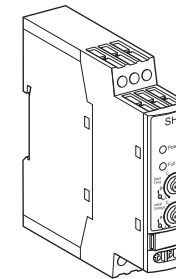


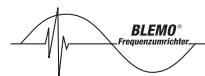
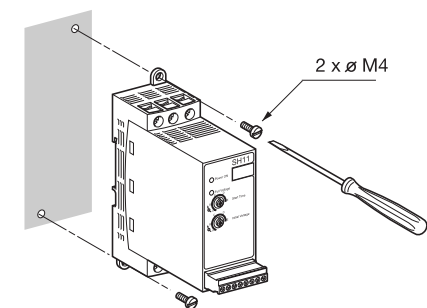
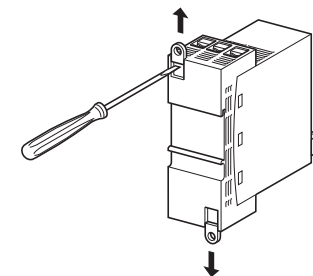


		[mm ²]		AWG		Nm		lb/in	
		mm ²	AWG	Nm	lb/in	mm ²	AWG	Nm	lb/in
⌀ 24 V ⌀ CL2 ⌀ CL1/0	SH11-1.1/42	2,5	18	0,8	7				
	SH11-3.0/42								
⌀ 1/L1 ⌀ 3/L2 ⌀ 5/L3 ⌀ 2/T1 ⌀ 4/T2 ⌀ 6/T3	SH11-4.0/42	10	10	1,9...2,5	7...22				
	SH11-5.5/42								
	SH11-1.1/42	2,5	18	0,8	7				
	SH11-3.0/42								
	SH11-4.0/42	2,5	10	0,5	4,5				
	SH11-5.5/42								



	a	b	c	d	e	f	g
	mm	mm	mm	mm	mm	mm	mm
SH11-1.1/42	23	100	100	50	/	/	/
SH11-3.0/42							
SH11-4.0/42	45	124	131	53	30	145	133
SH11-5.5/42							

	UL
	CLASS J
SH11-1.1/42	10 A
SH11-3.0/42	20 A
SH11-4.0/42	30 A
SH11-5.5/42	35 A



110...480 V~
50/60 Hz

100...120 V~
200...240 V~
50/60 Hz

Wahlweise
Steuerspannung:

----- 24 VDC $\approx \pm 10\%$
===== 110...240 V~
50/60 Hz

Wahlweise
Steuerspannung:

----- 24 VDC $\approx \pm 10\%$
===== 110...240 V~
50/60 Hz

