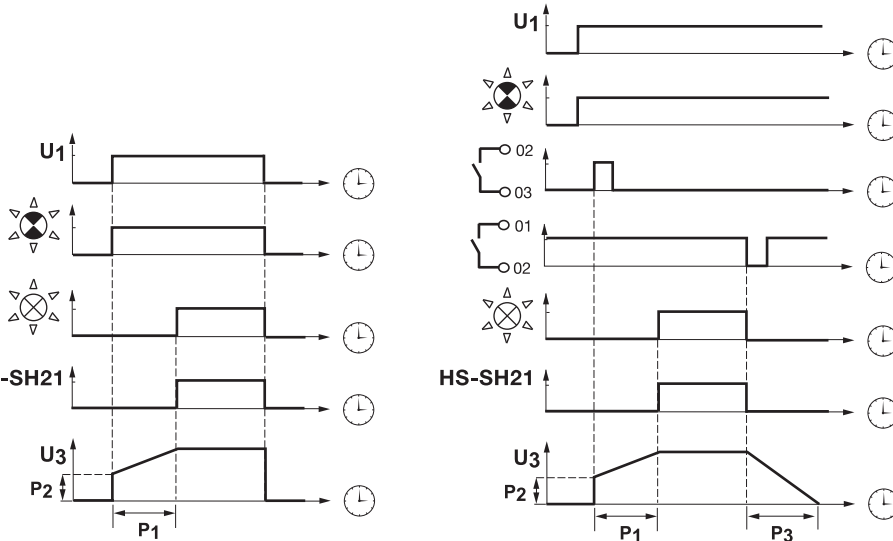
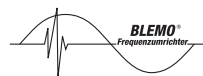


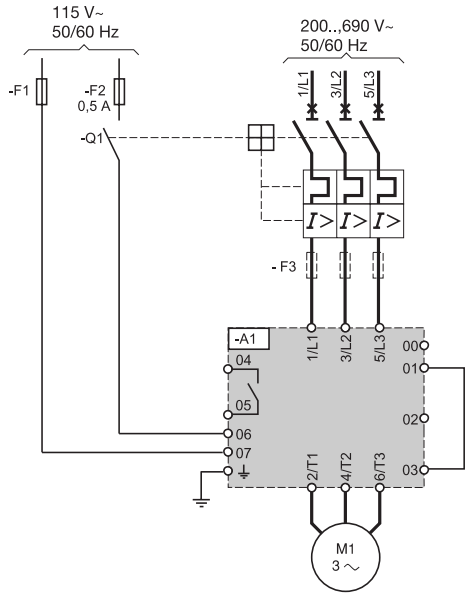
	a mm	b mm	c mm	e mm	f mm
SH21-30.0/6 SH21-37.0/6 SH21-22.0/4	180	146	126	150	132
SH21-55.0/6 SH21-37.0/4 SH21-75.0/6 SH21-45.0/4	180	254	126	150	242



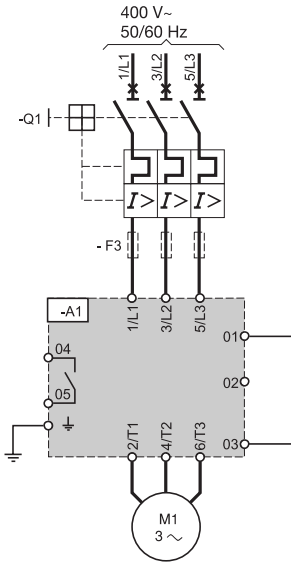
	[mm ²]		AWG	
	Nm	lb/in	Nm	lb/in
1/L1, 3/L2, 5/L3, 2/T1, 4/T2, 6/T3, t	25	2	5	45
00, 01, 02, 03, 04, 05, 06, 07	2,5	12	0,7	6



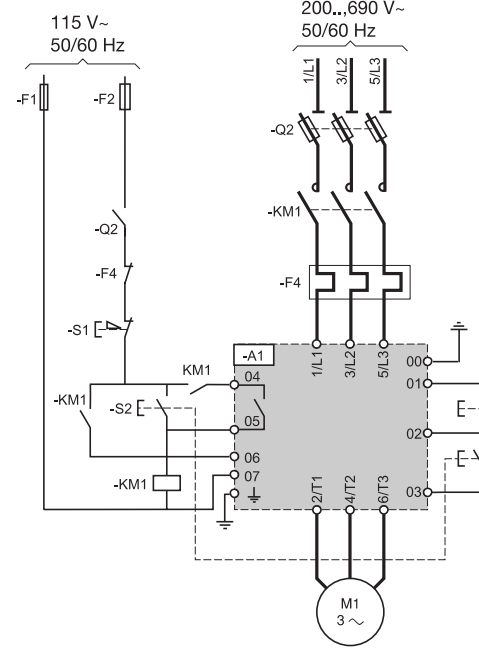
SH21-.../6



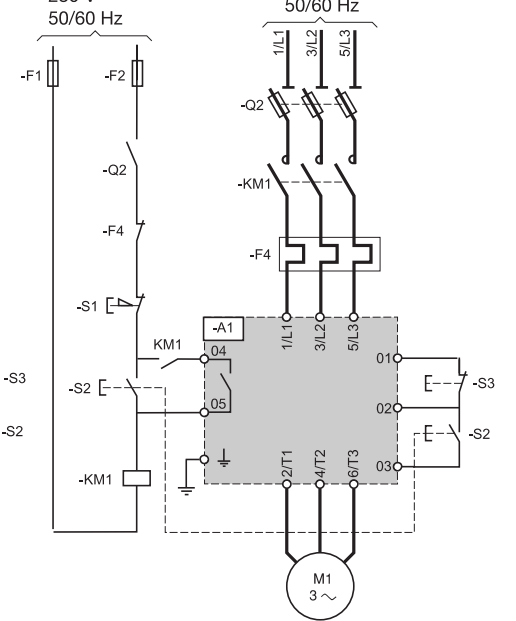
SH21-22.0/4
SH21-37.0/4
SH21-45.0/4



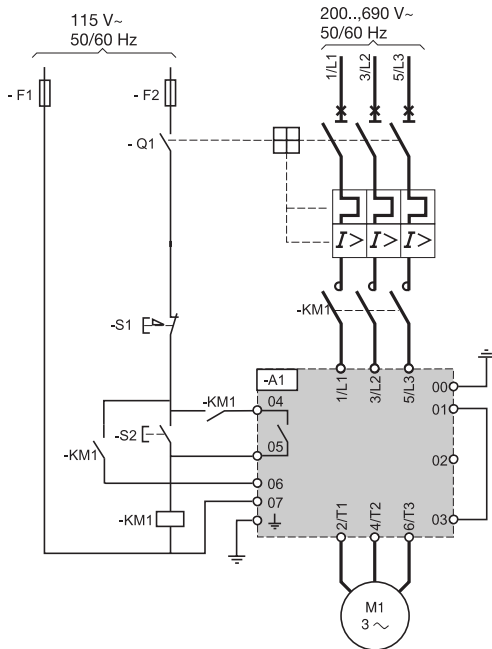
SH21-.../6



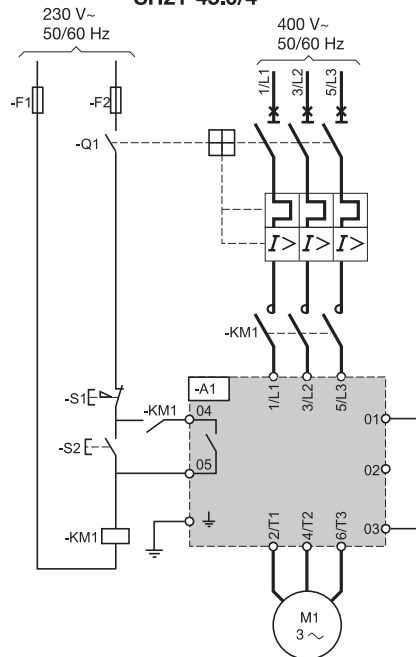
SH21-22.0/4
SH21-37.0/4
SH21-45.0/4



SH21-.../6



SH21-22.0/4
SH21-37.0/4
SH21-45.0/4



	UL CLASS J
SH21-30.0/6	100 A
SH21-22.0/4, -37.0/6	125 A
SH21-37.0/4, -55.0/6	200 A
SH21-45.0/4, -75.0/6	250 A

HS-SH21

